

Pedestals for *Ferronato BH1300-xx* Helmholtz coils Also useful for other magnetic devices

- Totally non-ferromagnetic. Screws and wheels in non-magnetic stainless steel.
- Frame of TIG welded aluminium alloy square tube, of 50 x 50 mm.
- Very strong and with low weight.
- Delivered dismantled. Its assembly is very simple.

Type: **PBH1300-P1** (Fig. 1)

External dimensions: 846 x 819 x eight 425 - 445

Weight: 10 kg

Load capacity: 150 kg

Anti-slip feet, of adjustable height for the assembly levelling.



Fig. 1: *PBH1300-P1*, version with feet..

Type: **PBH1300-R1** (Fig. 2)

External dimensions: 846 x 819 x height 505 - 525

Weight: 12 kg

Load capacity: 150 kg

Wheels with blocking system on their two axes and adjustable in height for assembly levelling.



Fig. 2: *PBH1300-R1*, version with wheels.

The joins among the four component frames are electrically isolated, in order to avoid induced currents in the pedestal perimeter, generated by the vertical component of alternate or pulsed magnetic fields. See Fig. 3.

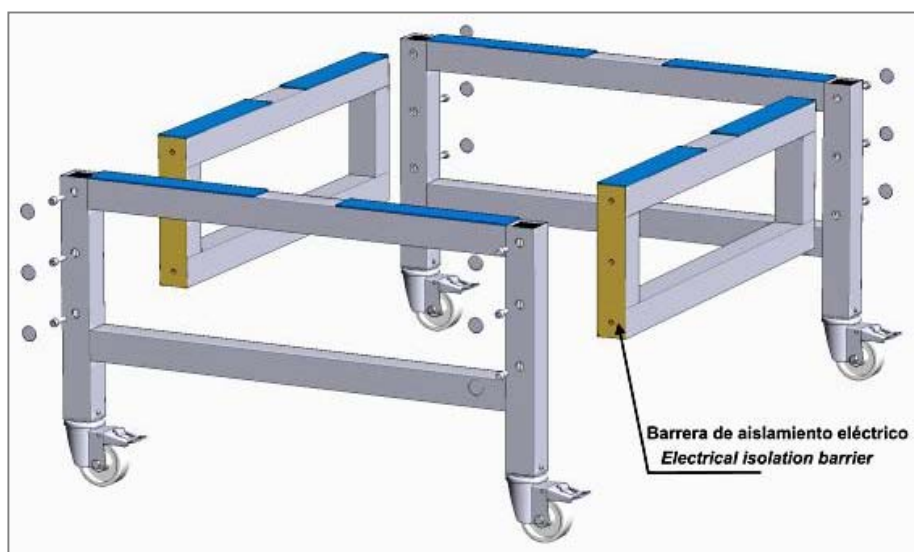


Fig. 3: *BH1300-R1*. Exploded view. The electrical barrier is shown.

Serviciencia, S. L.
Spain
serviciencia@serviciencia.es
www.serviciencia.es

We can design and manufacture upon request similar frames for other uses with magnetic fields.